

Astral Pool Underwater Niche Lights For Fibreglass Pools

ASTRALPOOL 

INSTALLATION INSTRUCTIONS



INST376



Rainbow Pool Products

PO Box 2388, Mansfield Qld 4122

Telephone STD 61-7-3849 5385





Facsimile STD 61-7-3849 5384

Email: info@rainbowpoolproducts.com.au

Web: www.rainbowpoolproducts.com.au

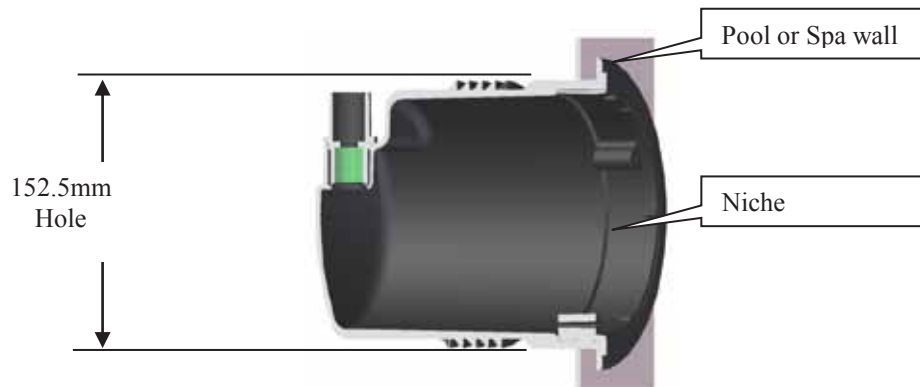
Installation for Fibreglass Pools

Kit Contents

Quantity	Item	
1	Fibreglass Niche Assembly	
1	2030058 O-ring 8mm Fibreglass	
1	2030061 Fibreglass Niche Nut	
1	20348 Cable - SLX Light 20m, or 20344 Cable - SLX Light 35m	

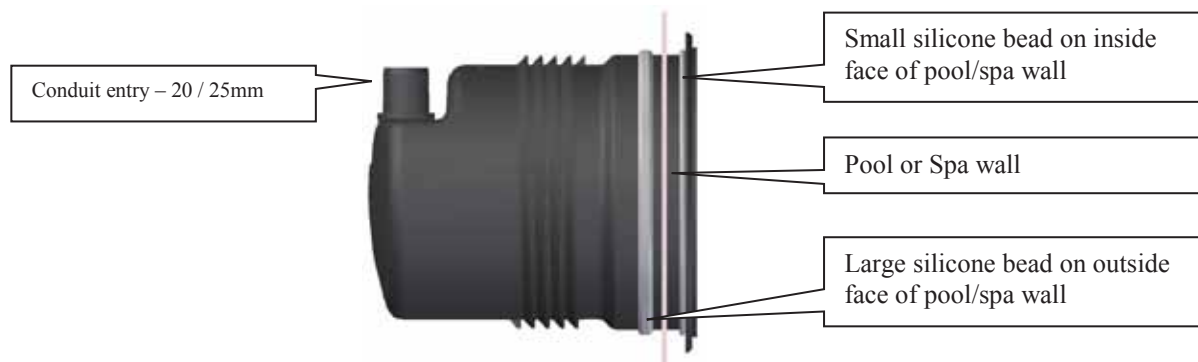
Installation Instructions

1. Before commencing work, check the fibreglass pane surface roughness. Rough surfaces may need to be smoothed up by hand or power tools to allow proper water-tightness and adhesion of the silicon sealant.
2. Cut a circular and uniform hole of 152.5mm diameter in the pool shell approximately 400mm below the expected water line. To cut the hole, use a jig saw or 6" hole saw tool (run power tool on low rpm) Do not install deeper than 450mm, as this makes servicing the light difficult.

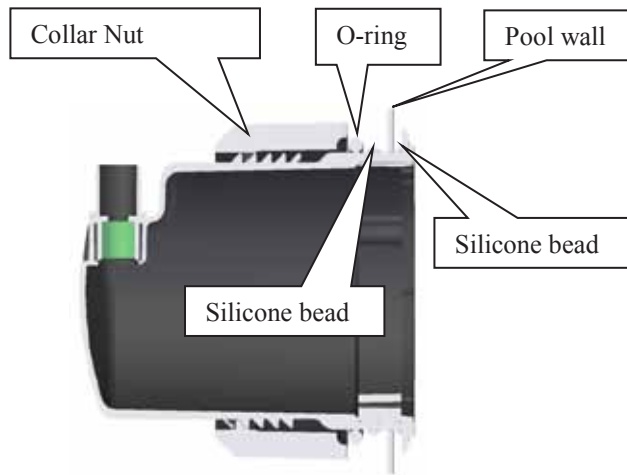


Note: due to the porosity of the fibreglass wall, it is recommended to use silicone along with the O-ring provided.

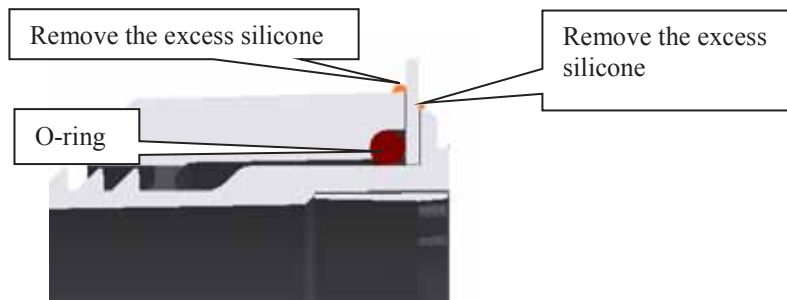
3. Run a small bead of silicone around the inner edge of the niche front lip. Ensure the silicone runs as one continuous line.
4. Fit the niche through the hole in the pool shell. Ensure the conduit connection point is facing upwards from the niche.
5. Apply a second heavy bead of silicone to the niche on the outside of the pool wall.



6. Lightly smear silicone into the O-ring compression recess of the collar nut (item 2030061).
7. Fit the O-ring (item 2030058) to the niche and position it near the wall.
8. Fit the collar nut over the niche and begin to tighten it. As you fasten the nut, allow the silicone to be pushed against the pool shell wall by the O-ring.
9. Tighten the nut firmly by hand only.



10. Clean up any excess silicone from the front and rear of the niche.



11. Allow the silicone to cure for approximately 12 to 15 hours before fitting the electrical conduit.
12. Glue a length of 25mm electrical conduit to the niche conduit socket using PVC solvent cement. Ensure the conduit extends above the water level of the pool. If a draw wire is not being used, the cable (item 20348 or 20344) must be fitted simultaneously with the conduit installation. Starting at the niche, run the cable through the conduit to the power supply. Leave 1m of cable surplus inside the niche, complete with the end of the cable with the plug, and coil up inside the niche until ready to fit the light. Ensure the cable gland inside the niche is fully tightened around the cable.
13. Install a second conduit to return below ground level and away to the power supply. Both conduits should be glued into a draw box to allow for future service.

